

[TopPage](#)>>[Search Result](#)>>7306BDT

Angular Contact Ball Bearings

Bearing No. : **NACHI 7306BDT**

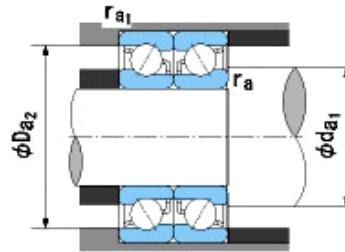
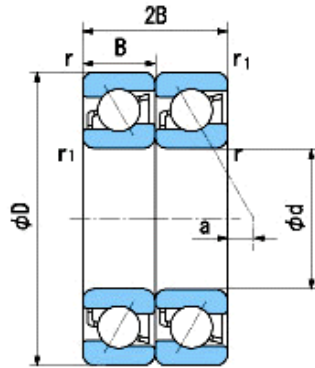
■ Bearing Type

■ Clearance

■ Tolerance Class

Dimensions

- d = 30⁰_{-0.010}
- D = 72⁰_{-0.013}
- B = 19⁰_{0.000}
- r = 1.1~2
(Radial Direction)
- r = 1.1~3.5
(Axial Direction)
- r1 = 0.6~1
(Radial Direction)
- r1 = 0.6~2
(Axial Direction)
- a = 11.9



Dimensions

- da1(min) = 37
- da2(min) = 35
- Da1(max) = 65
- Da2(max) = 67
- ra(max) = 1
- ra1(max) = 0.6
- Mass = 0.72 kg

Basic Dynamic Load Rating Cr :	52,000 N
Basic Static Load Rating Cor :	42,000 N
Limiting Speed ;	
Grease Lubrication :	6,100 min ⁻¹
Oil Lubrication :	8,500 min ⁻¹

	INNER RING	OUTER RING
O.D.Surface Runout with Side :		-
Axial Runout with Bore :	-	
Axial Runout with Raceway :	-	
Width Variation :	0.020	0.020
Radial Runout :	0.013	0.025